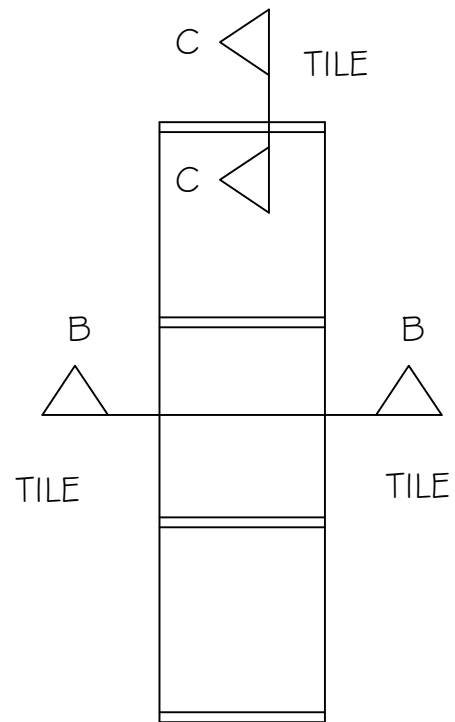
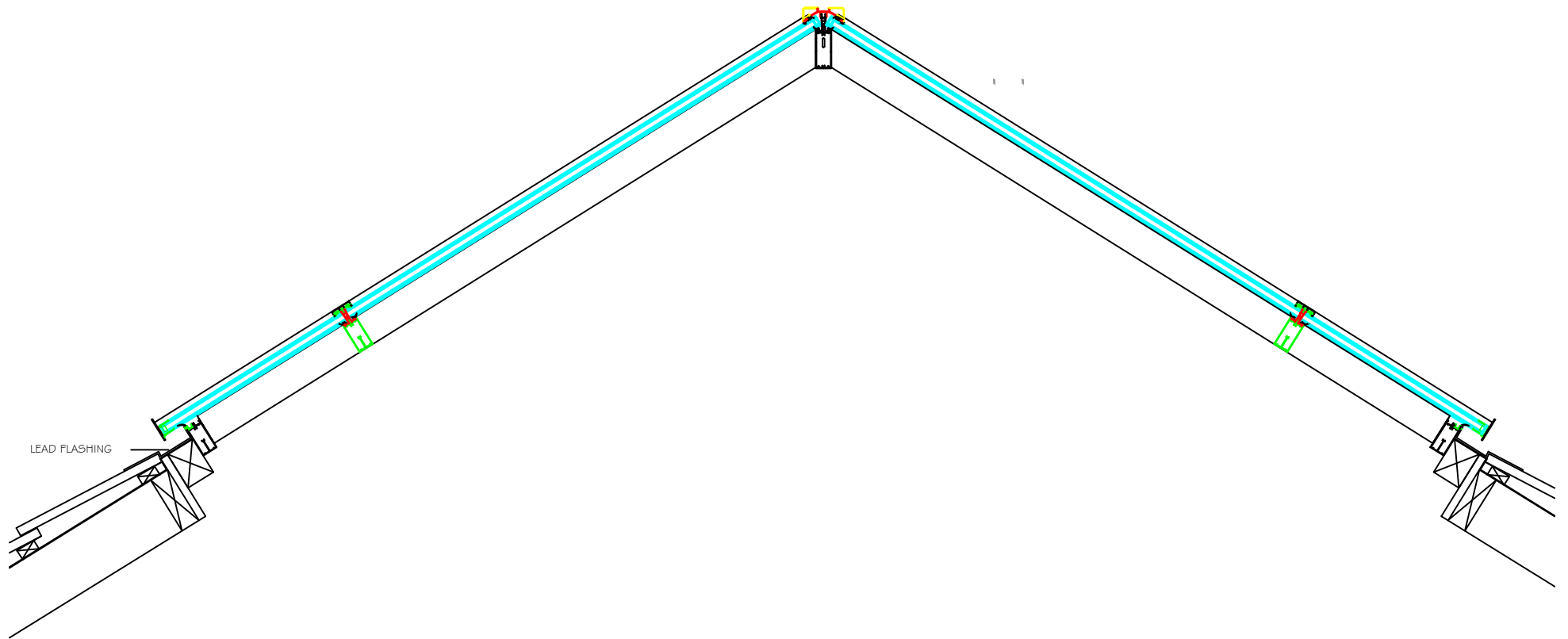


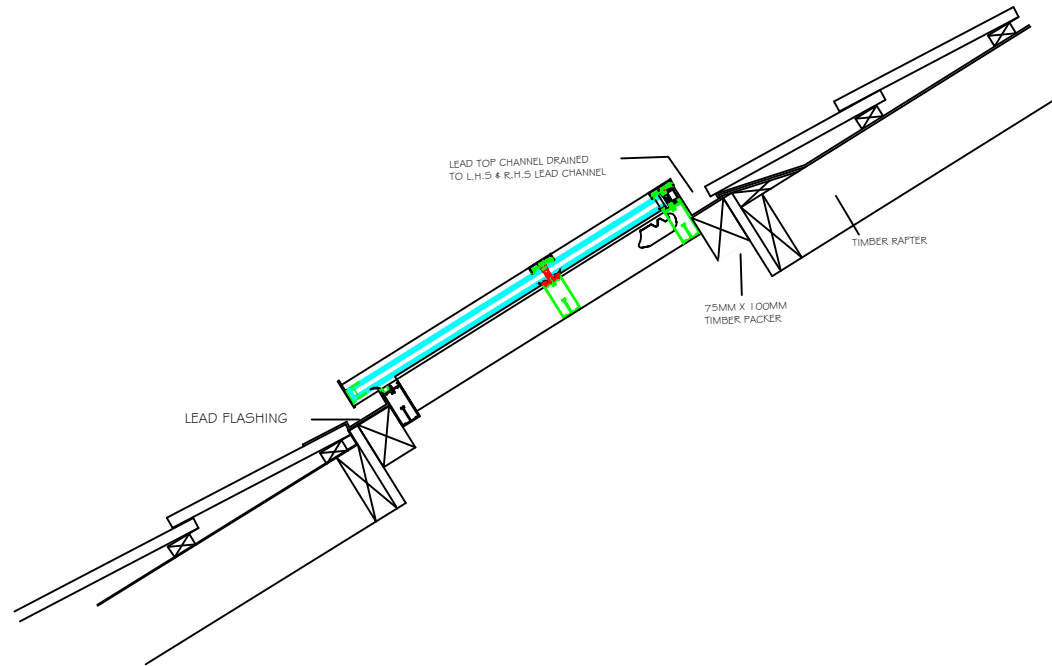
PLAN APEX ROOF.



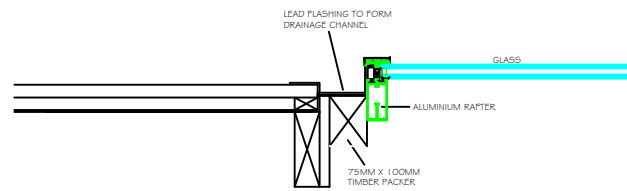
PLAN



SECTION A-A

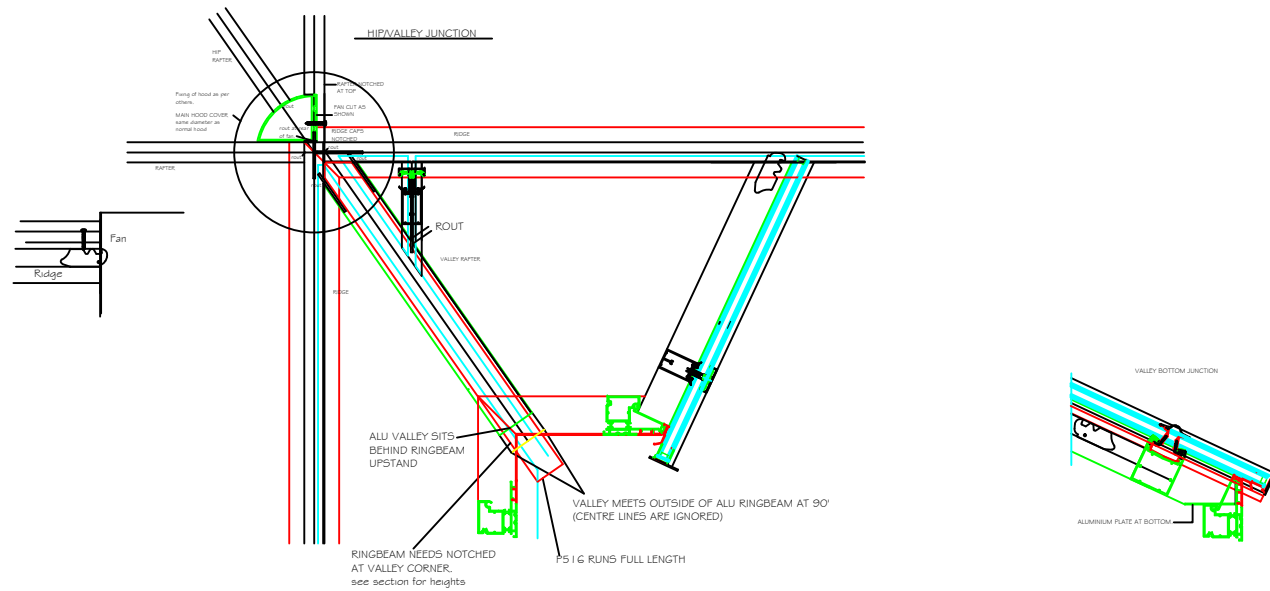


SECTION B-B

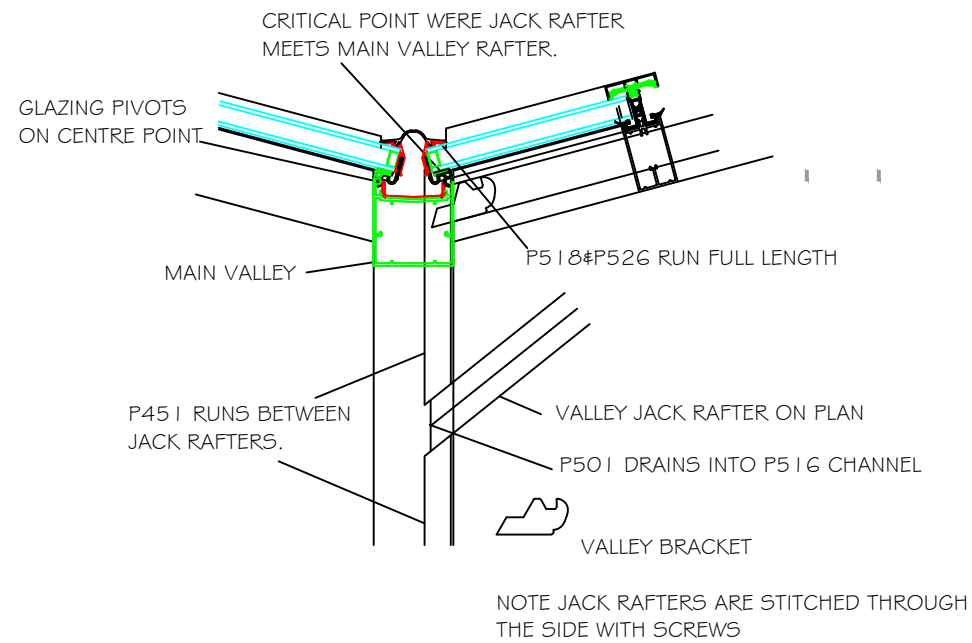


SECTION C-C

VALLEY DETAILS



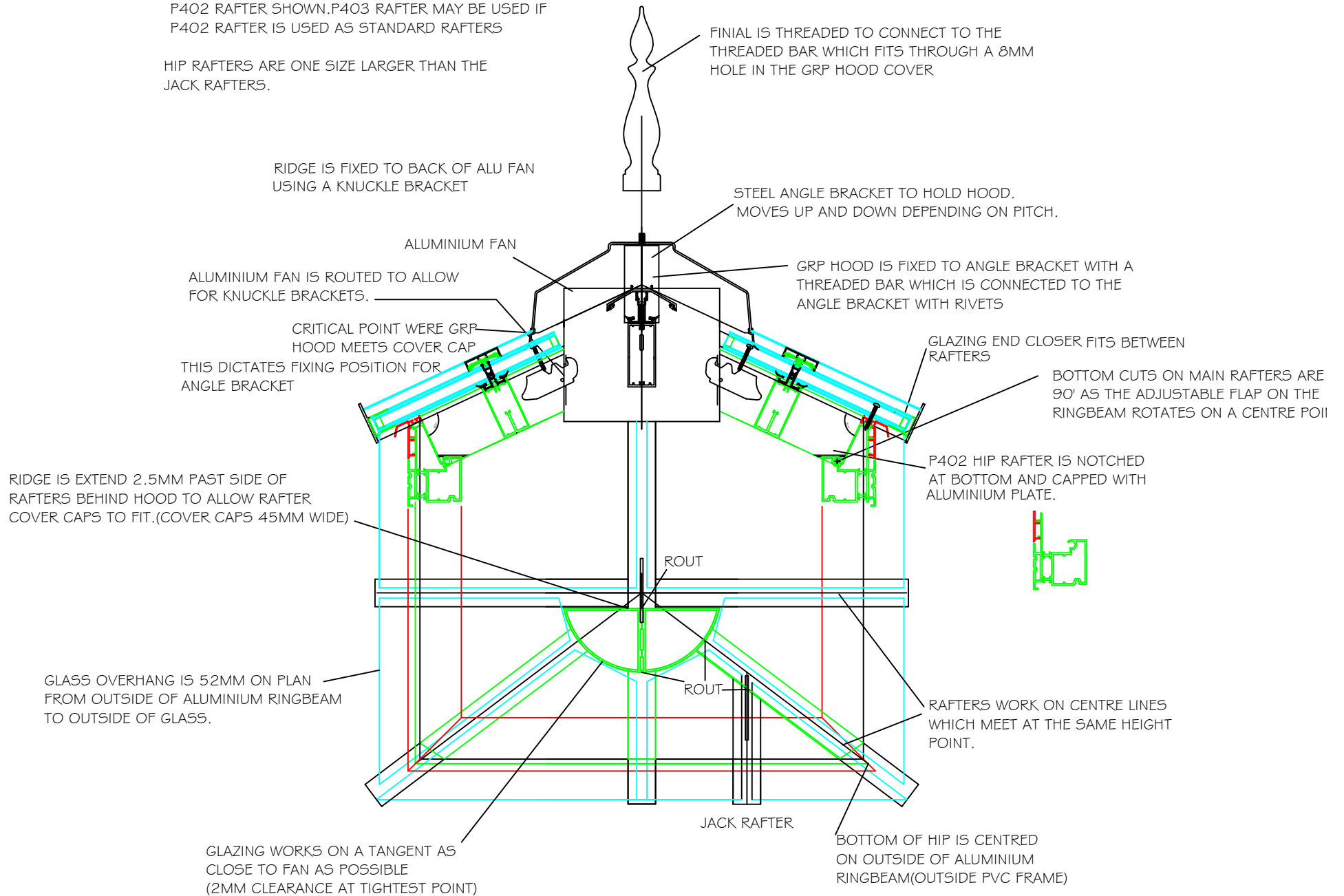
ELEVATION OF JACK RAFTER.



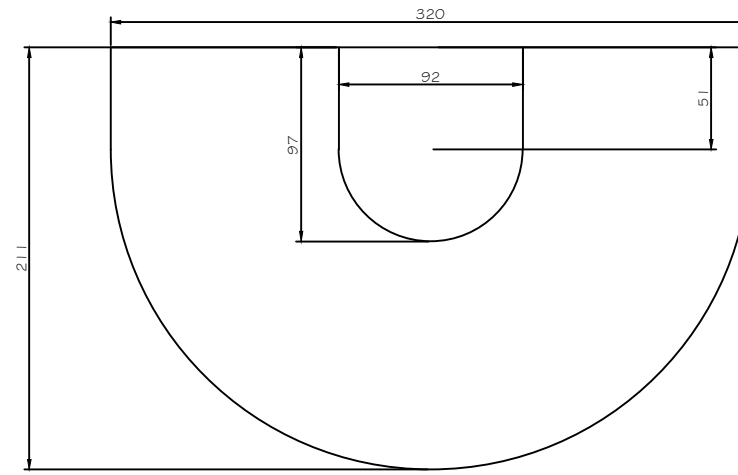
HIP DETAILS

NOTE
 P402 RAFTER SHOWN. P403 RAFTER MAY BE USED IF
 P402 RAFTER IS USED AS STANDARD RAFTERS

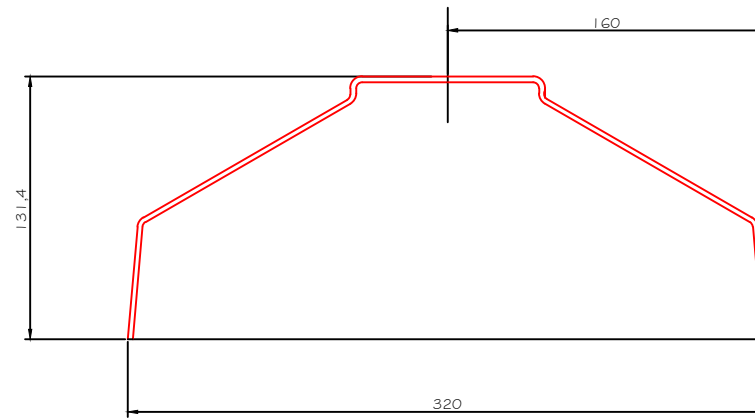
HIP RAFTERS ARE ONE SIZE LARGER THAN THE
 JACK RAFTERS.



HOOD COVER



PLAN ELEVATION



FRONT ELEVATION