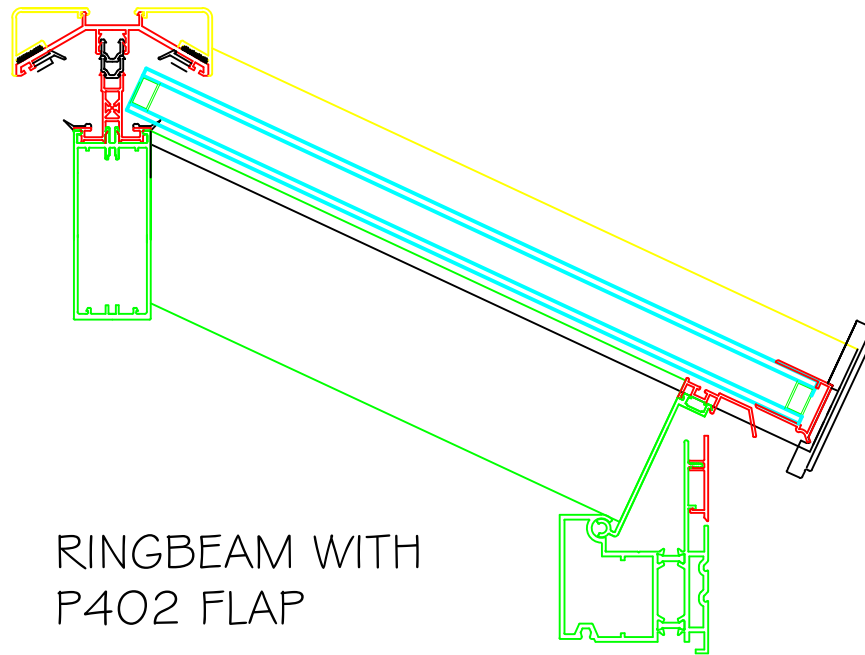
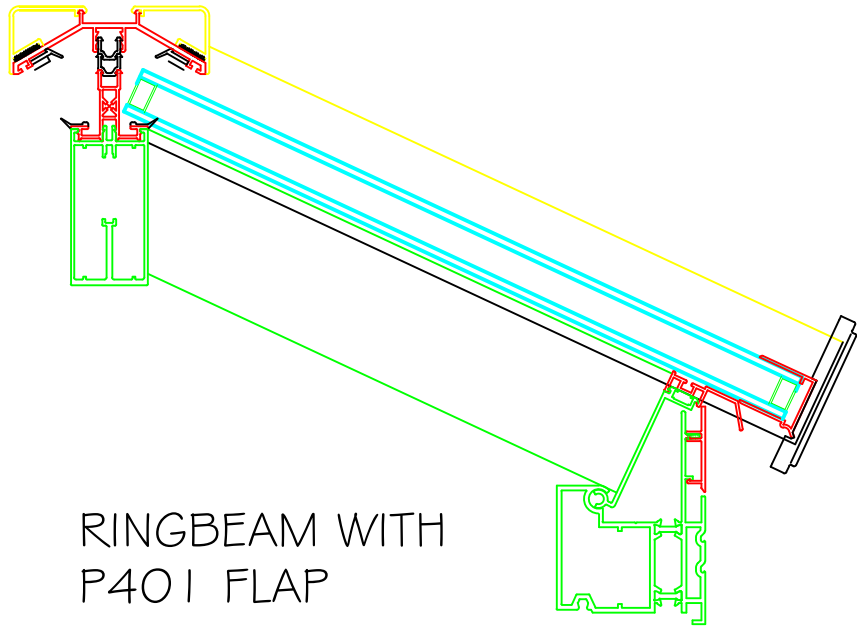


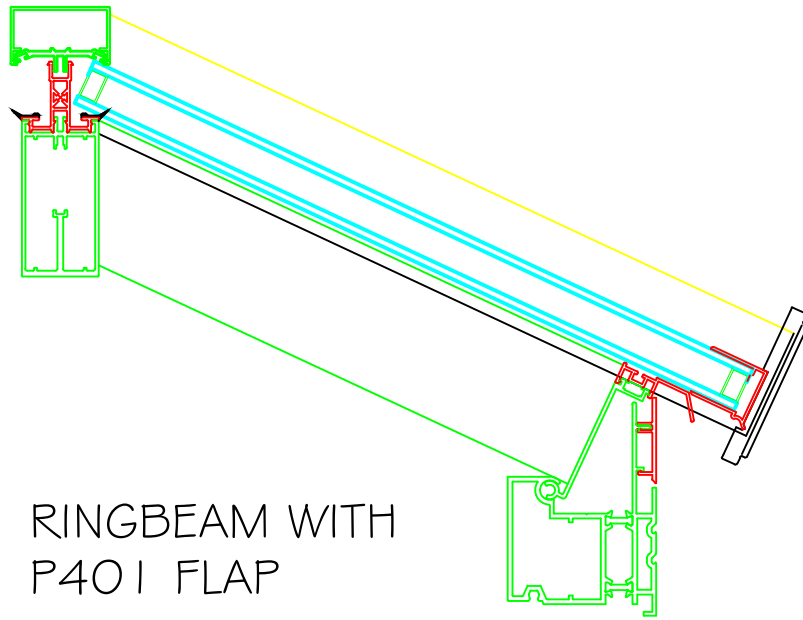
RINGBEAM WITH
P403 FLAP



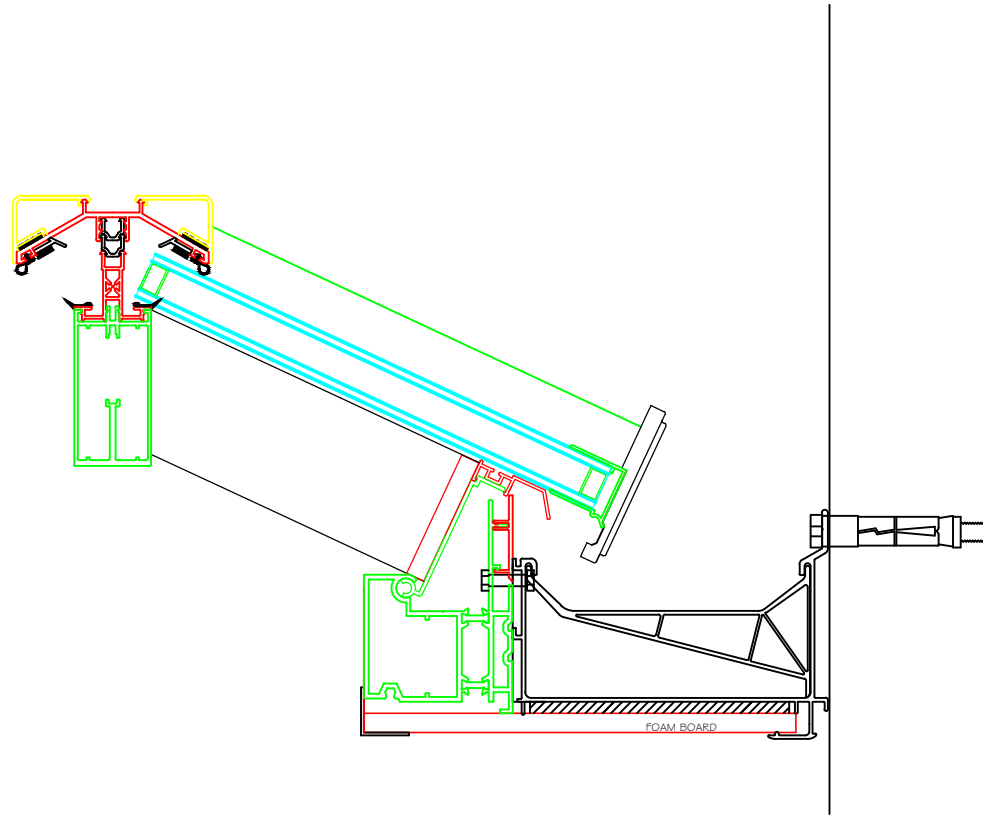
RINGBEAM WITH
P402 FLAP



RINGBEAM WITH
P401 FLAP

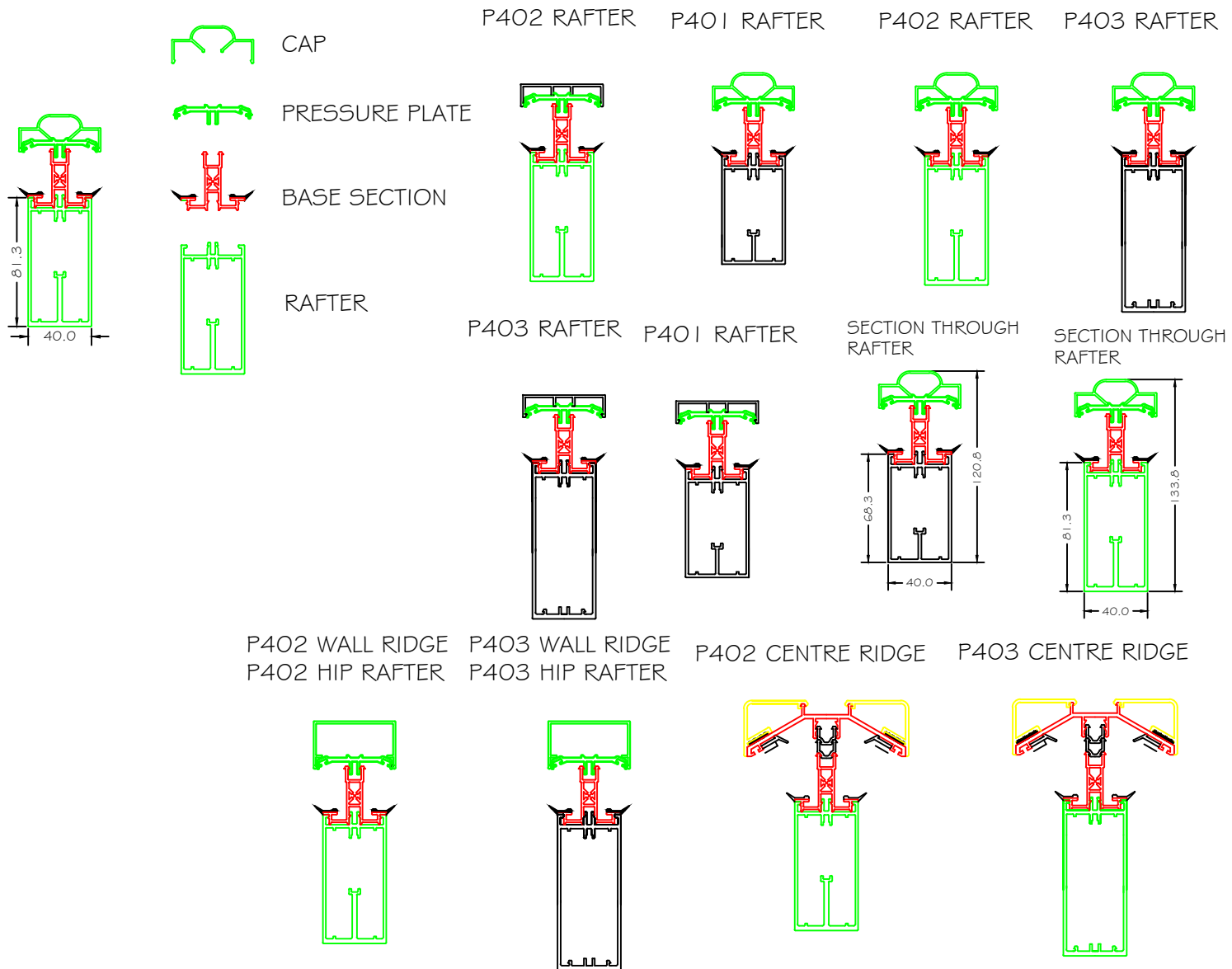


RINGBEAM WITH
P401 FLAP

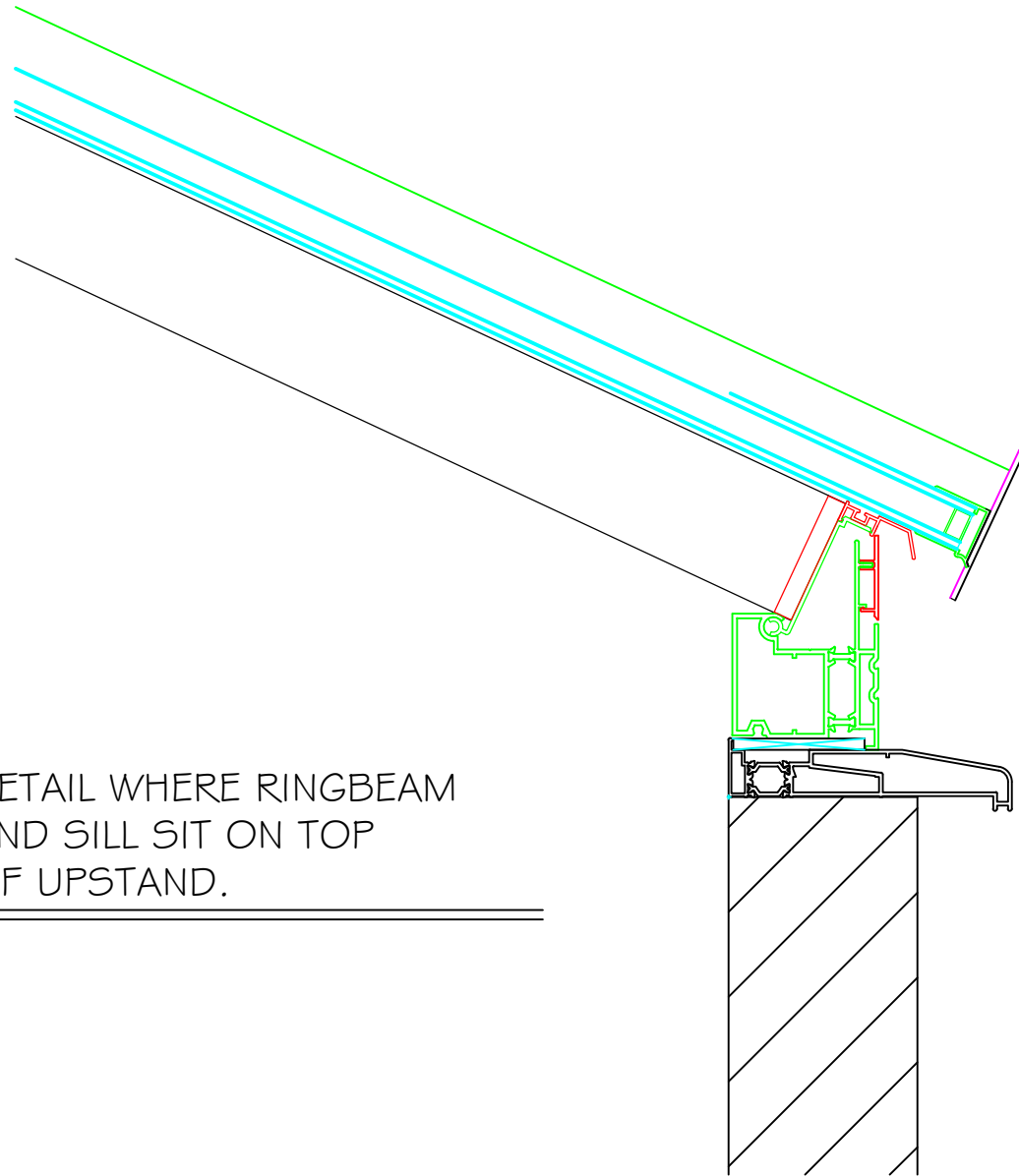


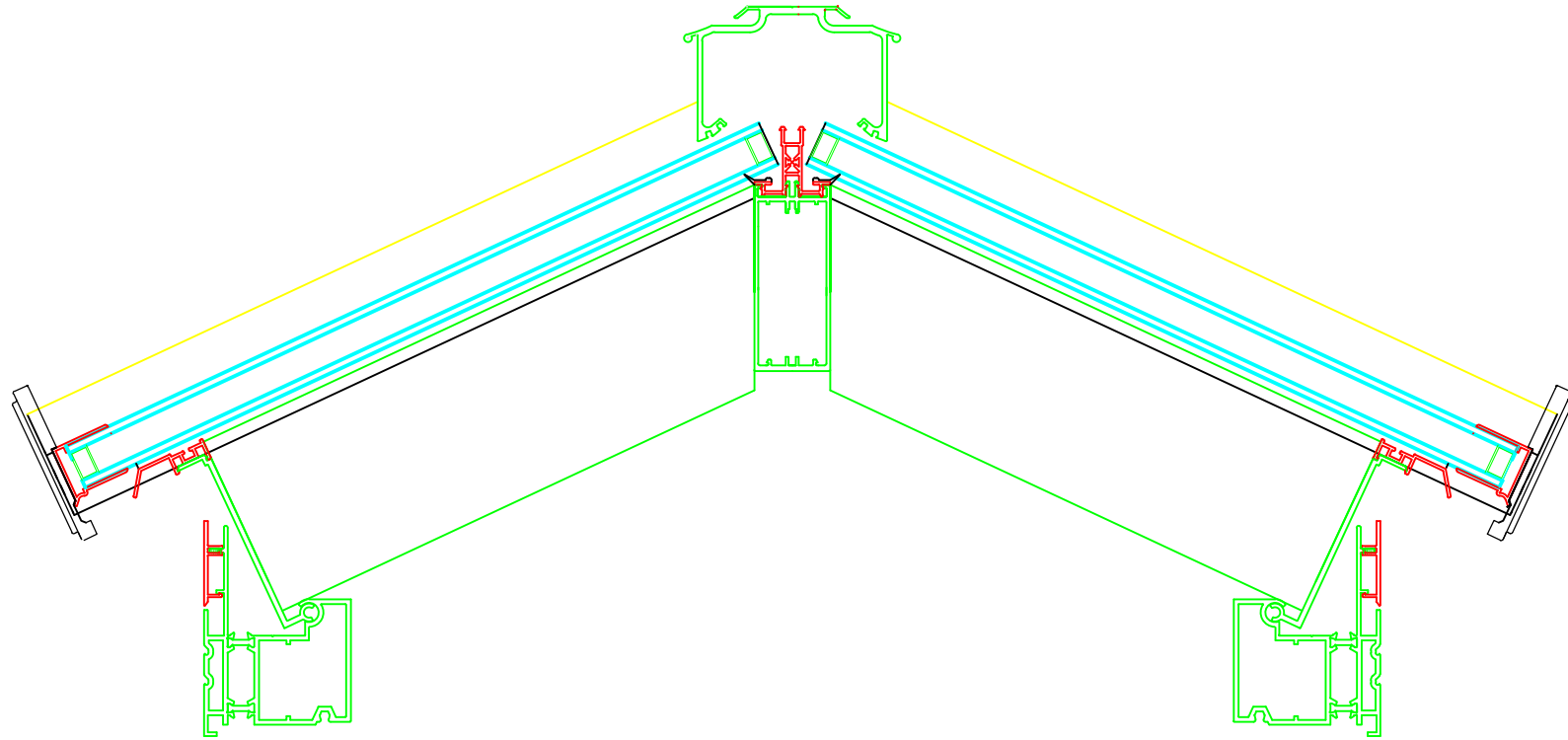
SECTION THROUGH RINGBEAM & STANDARD BOX GUTTER

BOX GUTTER CAN BE DESIGNED WIDER USING FOLDED ALUMINIUM.

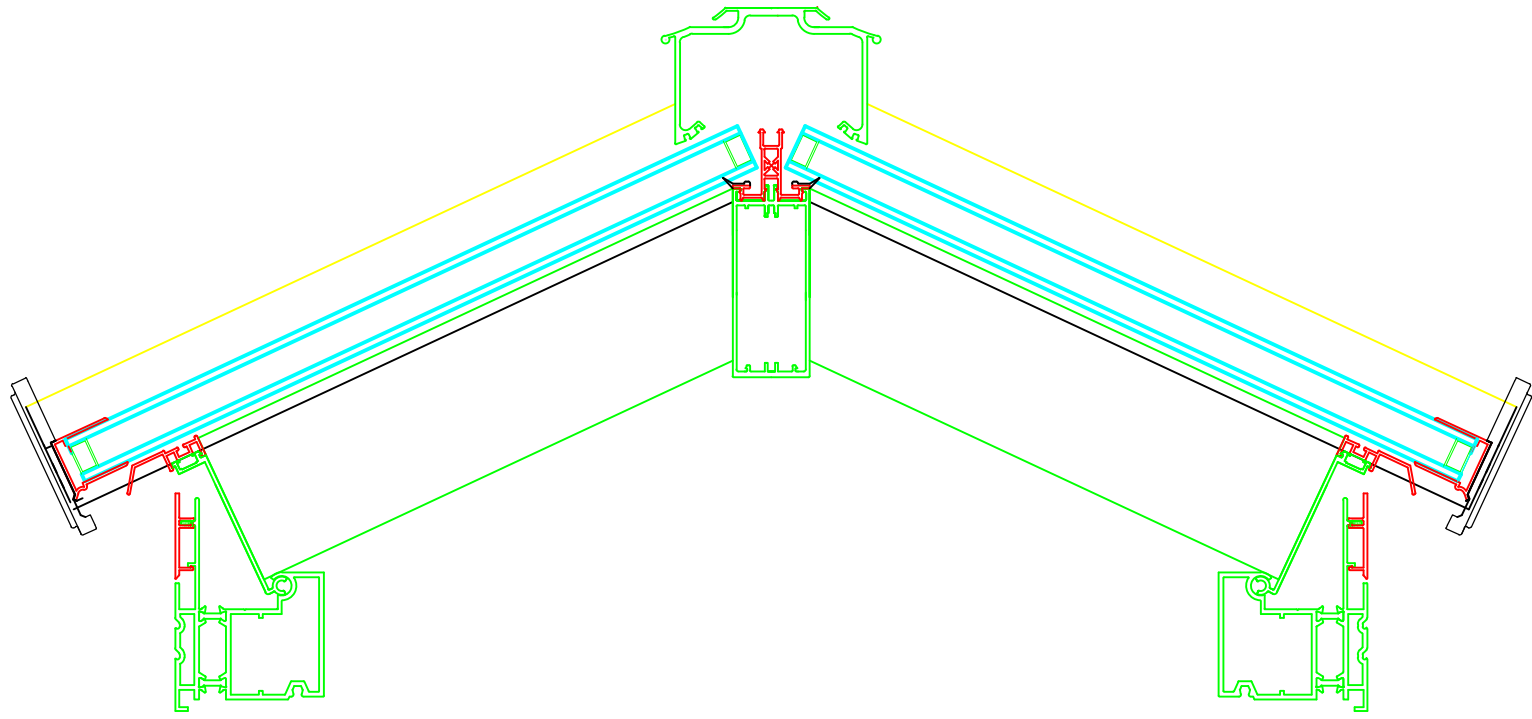


DETAIL WHERE RINGBEAM
AND SILL SIT ON TOP
OF UPSTAND.

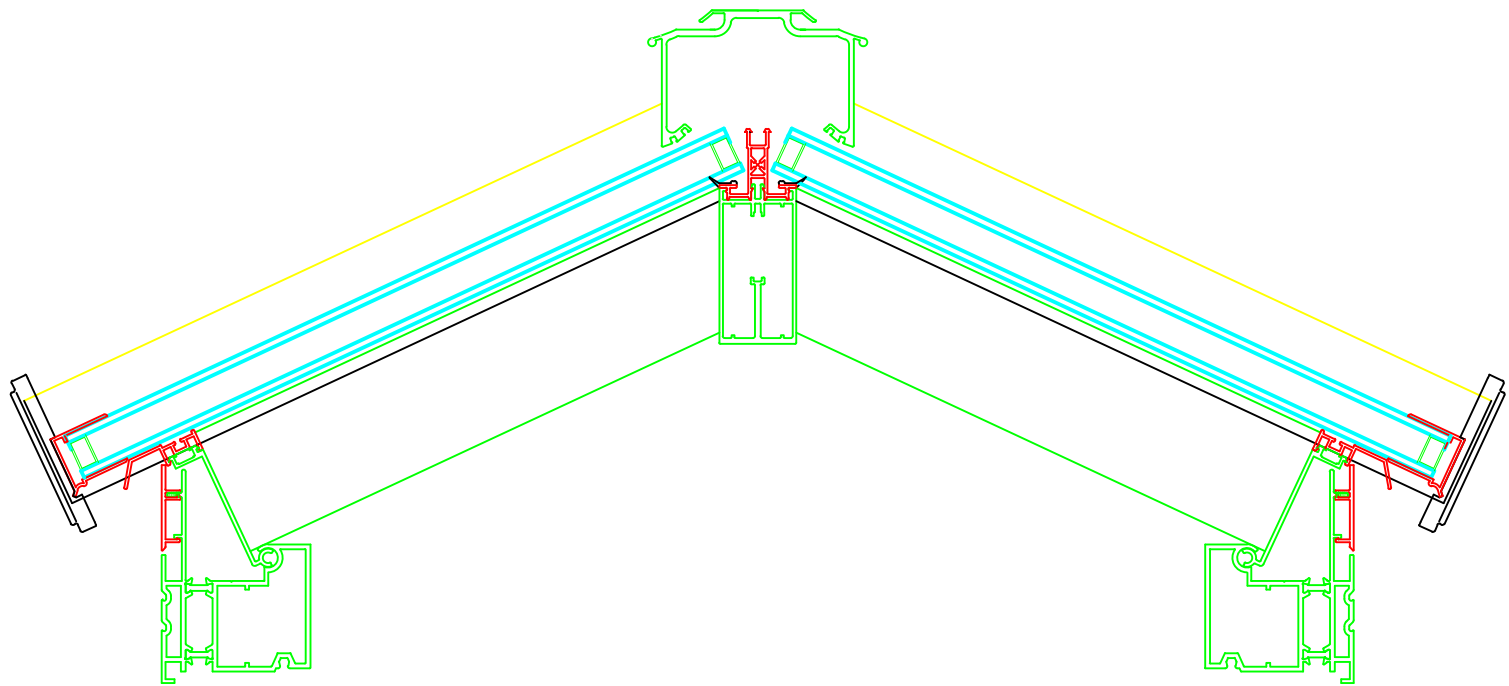




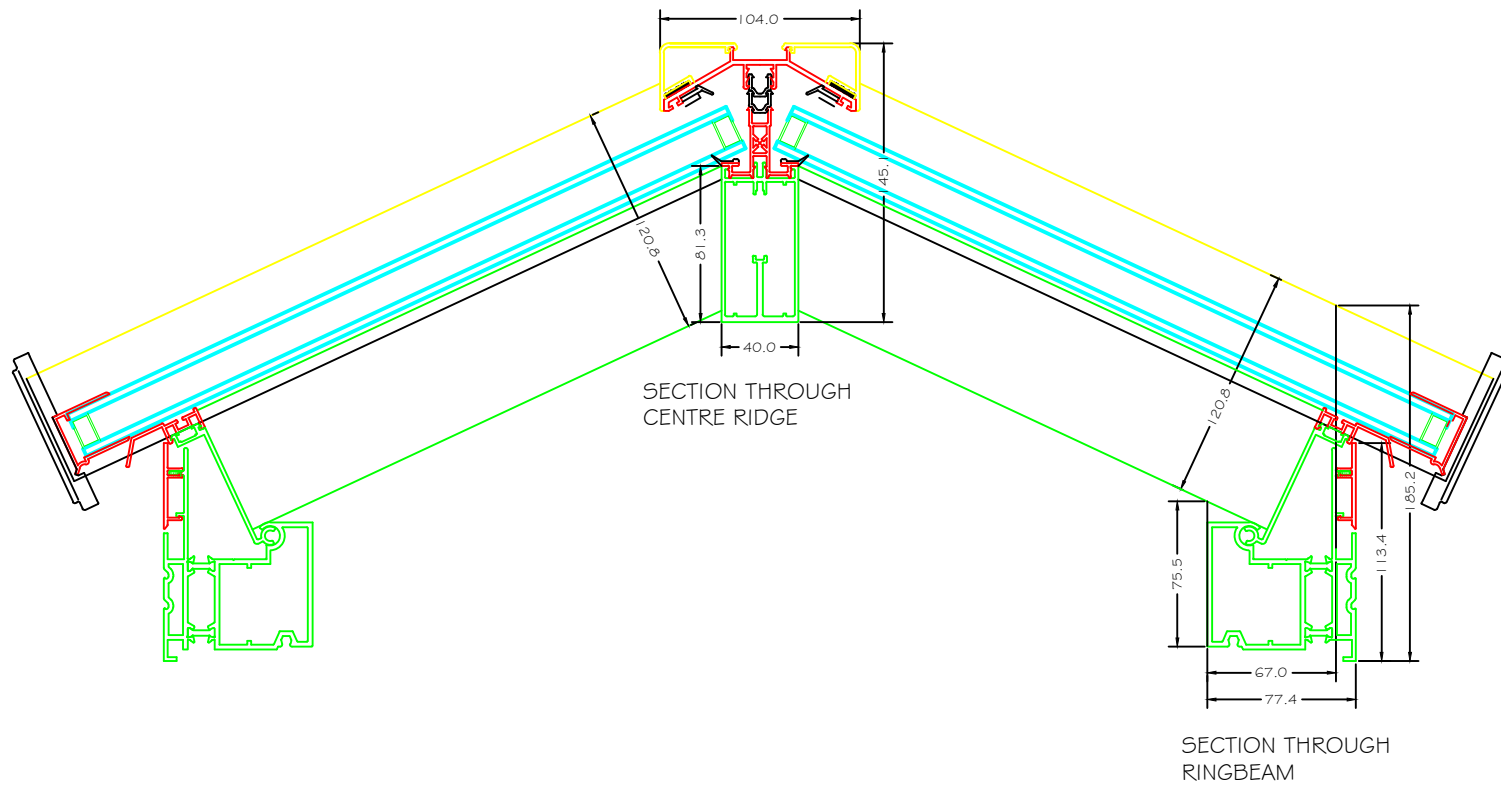
RINGBEAM WITH
P403 FLAP

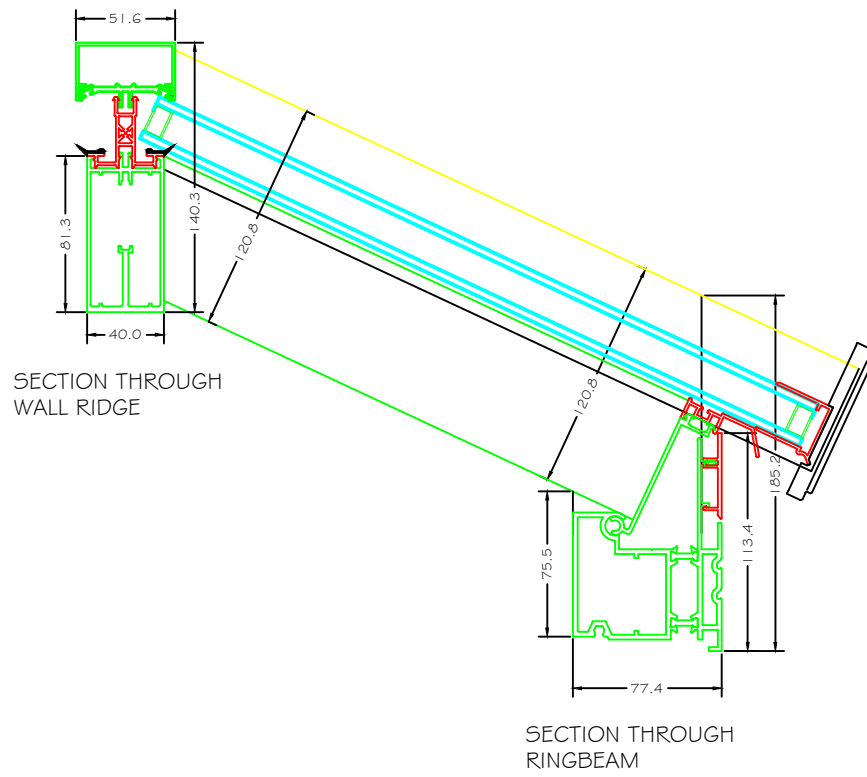


RINGBEAM WITH
P402 FLAP



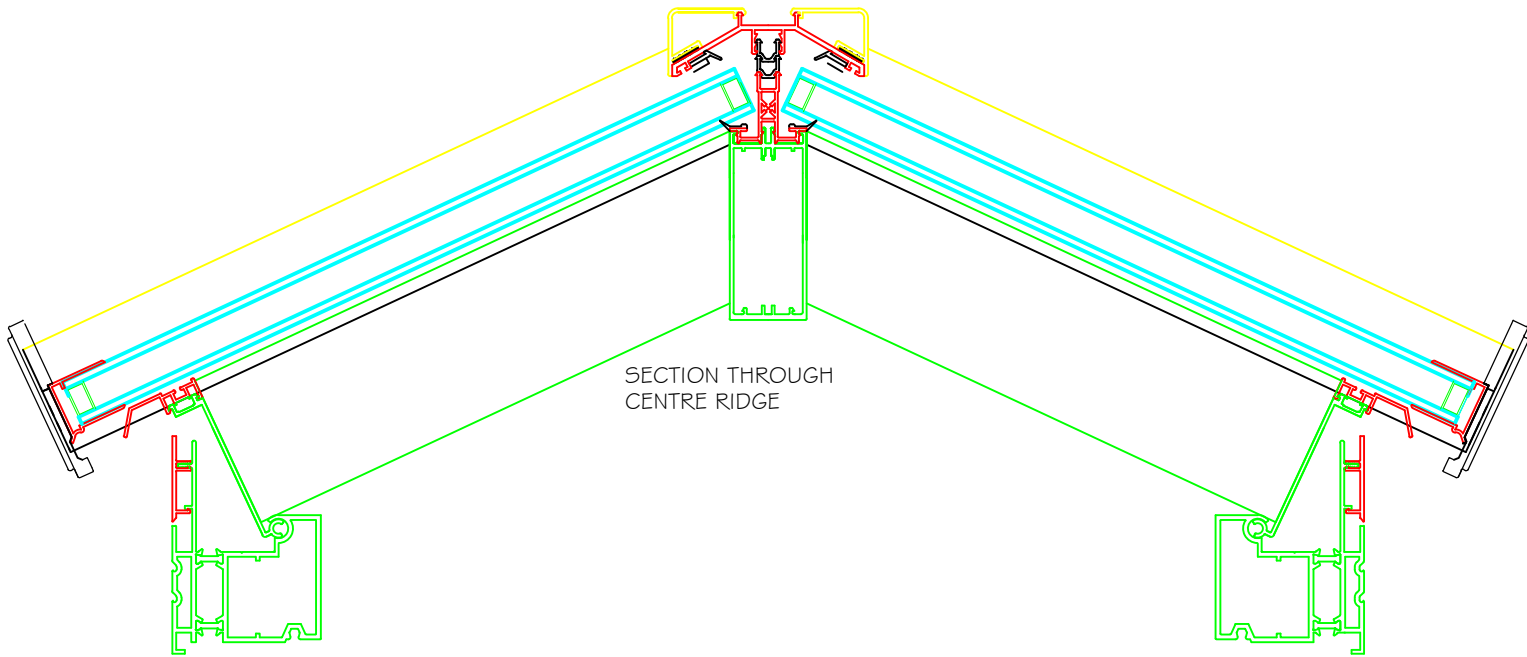
RINGBEAM WITH
P401 FLAP





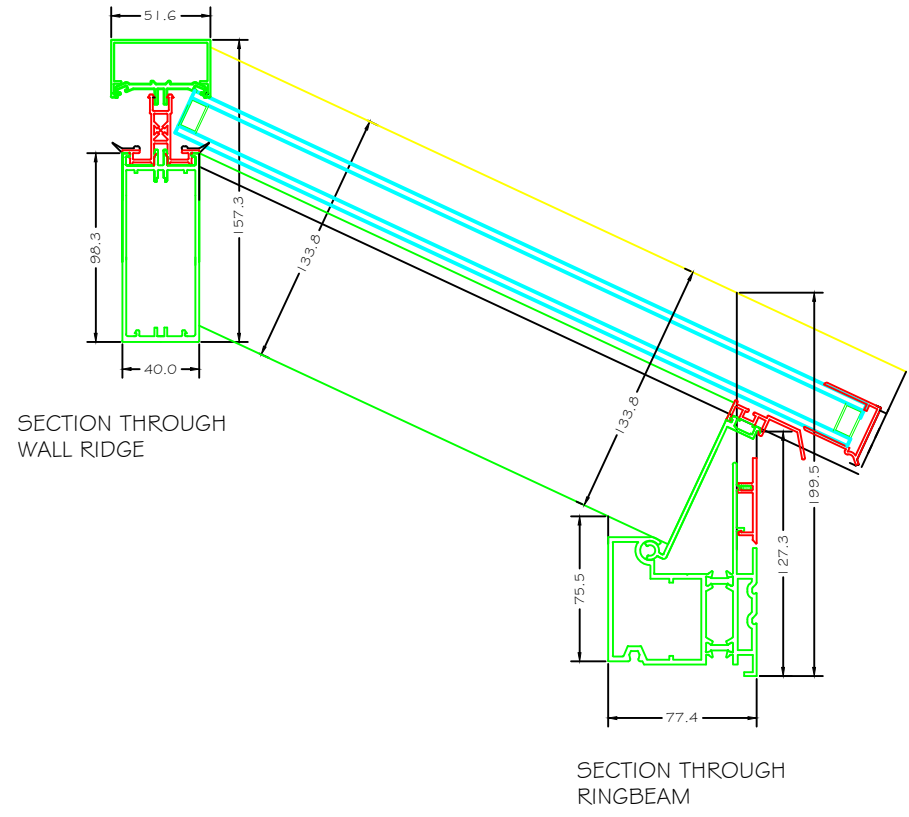
SECTION THROUGH WALL RIDGE

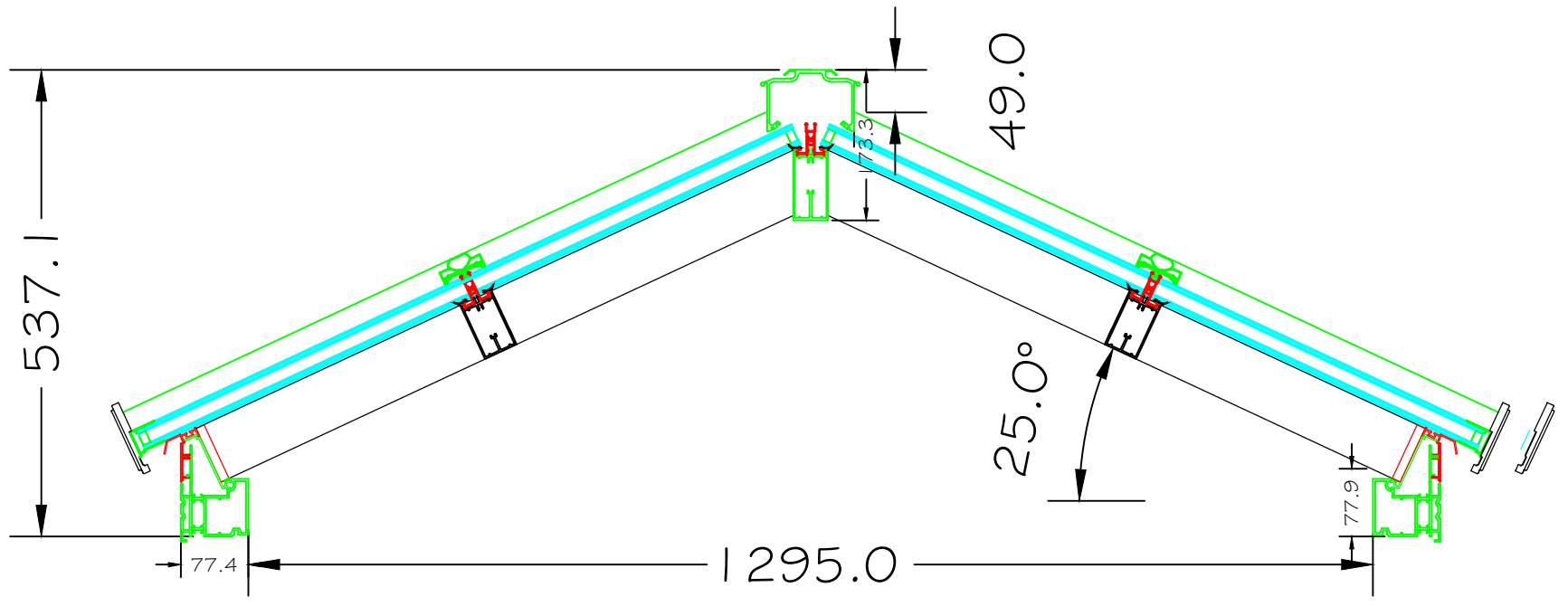
SECTION THROUGH RINGBEAM



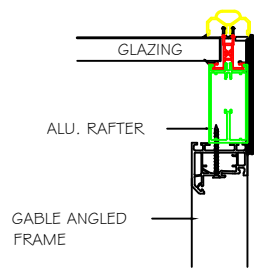
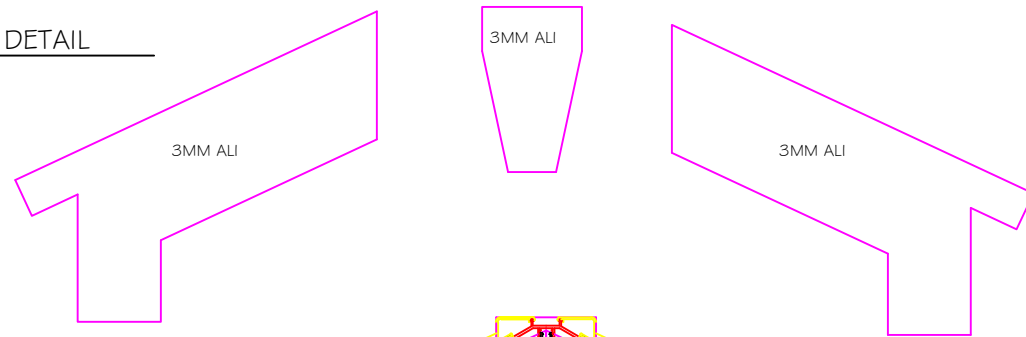
SECTION THROUGH
CENTRE RIDGE

SECTION THROUGH
RINGBEAM

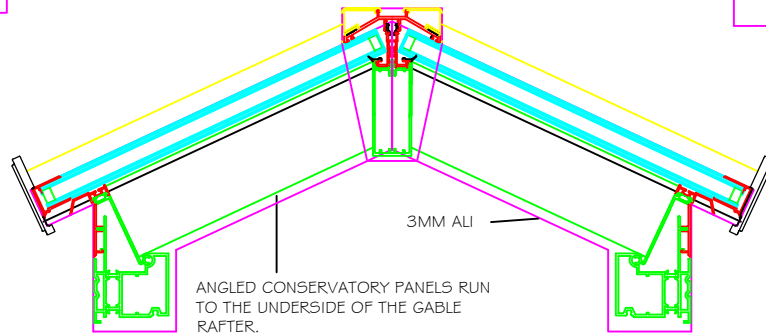




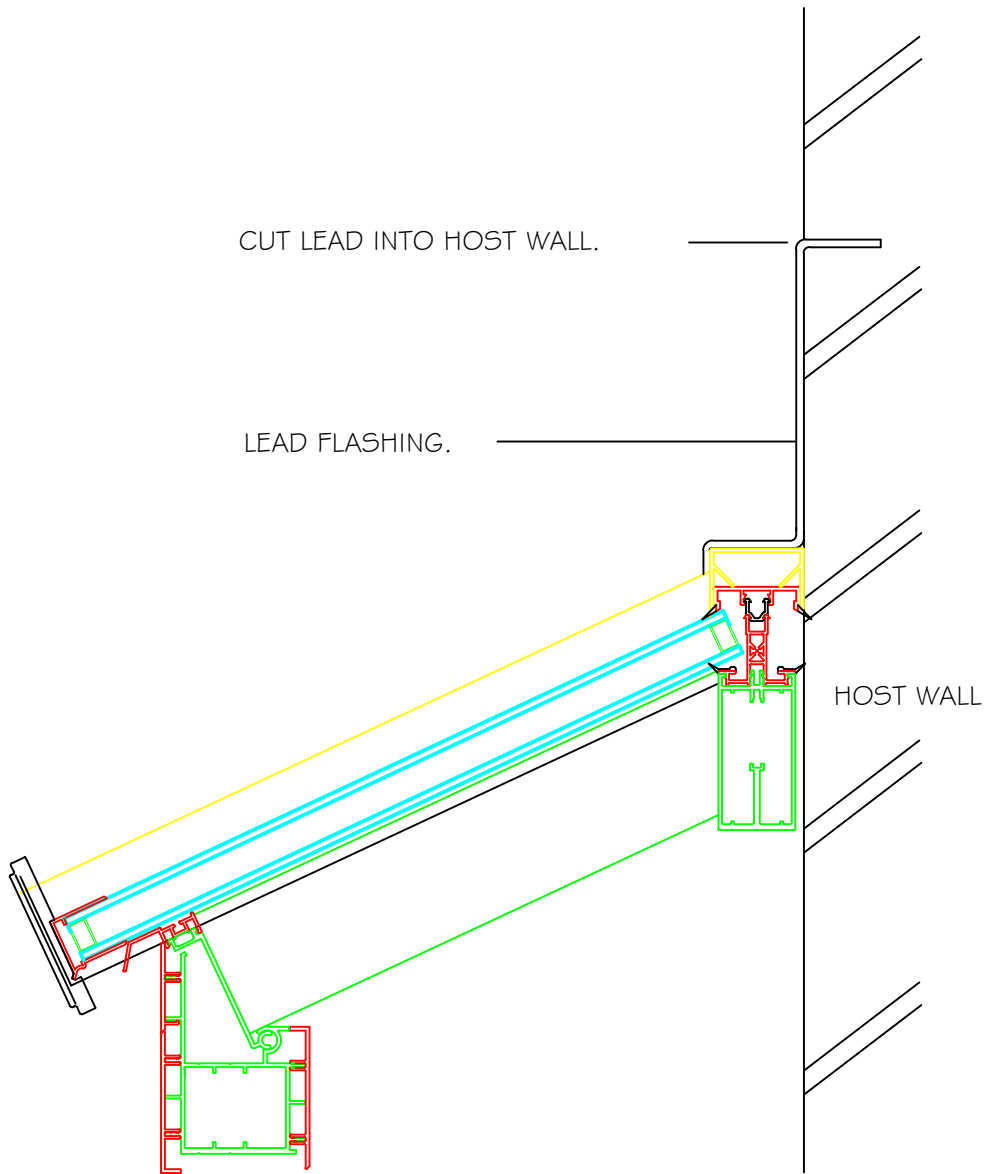
GLASS GABLE DETAIL



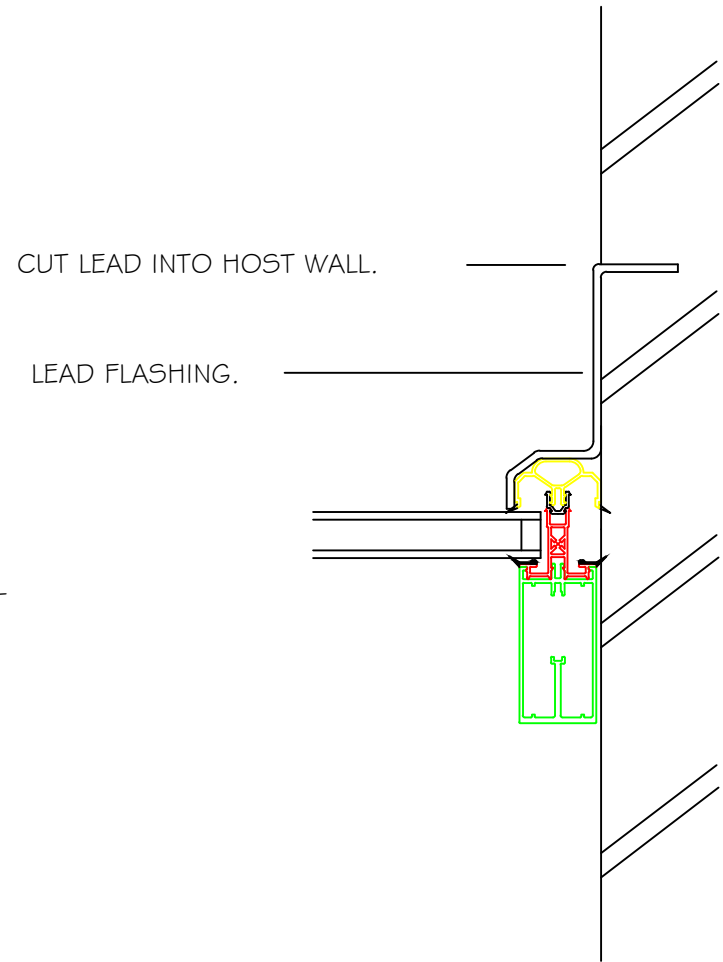
SECTION



SIDE ELEVATION

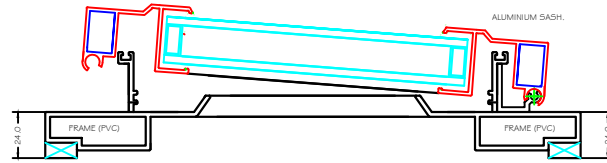


RIDGE DETAIL.



RAFTER DETAIL.

ROOFVENT DETAILS



ROOFVENT AND GLASS JOINTER.

