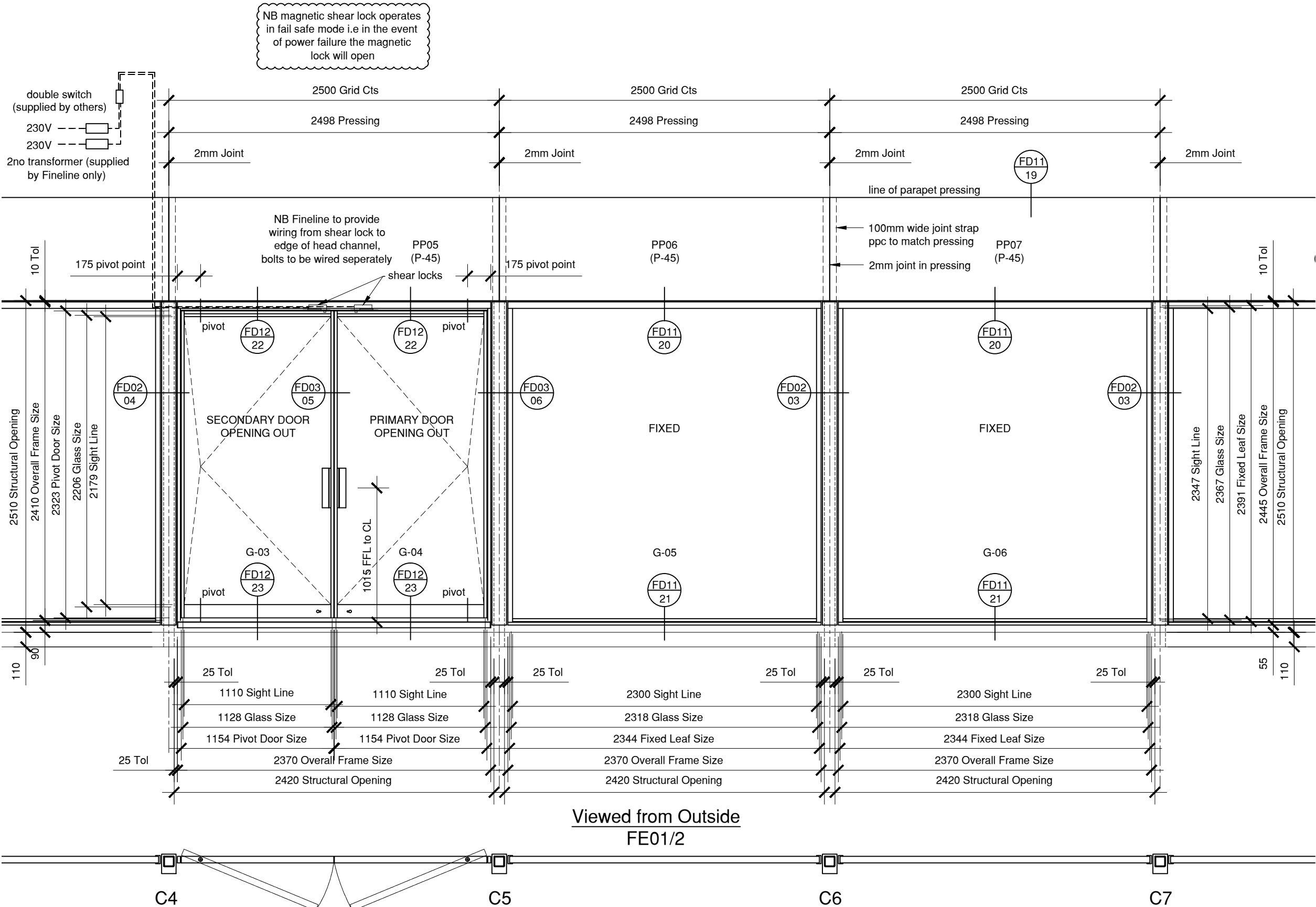


REFER TO FL3932-FE01 FOR CONTINUATION



Viewed from Outside
FE01/2

Specification/Notes:
System:
Fineline System 22 Fixed Light
Finish General: Anodised Anolok 547
Finish Parapet: Polyester powder coated RAL8022 matt
Finish Soffit: Polyester powder coated RAL7038 matt
Mastic: By Fineline Colour Black

Glazing: $u = 1.2w/m^2k$ (Centre Pane)
32mm Double glazed units
Comprising:
10mm Clear toughened outer
16mm Argon filled cavity
(Black Spacers)
6mm Clear toughened soft coat low inner

Fittings:
300mm pressed handles anodised to match frame work
Deadlock to cill.
Euro profile cylinder keyed both side:
Shear Magnetic Lock at head (wiring control switch by others 24VDC)
Dorma BTS 80 floor spring & Dorma top pivot (hold open 90°)

MAGNETIC SHEAR LOCK IS SUPPLIED AS FAIL SAFE, THUS IN THE EVENT OF POWER FAILURE THE LOCK WILL OPEN

CONSTRUCTION ISSUE

© Copyright reserved by Fineline Aluminium. reproduction of this drawing without prior permission.

D	
C	
B	
A	Construction Issue/anodised finish amen
00	Initial Issue Drawing
Rev:	Date: Description:

FINELIN ALUMINIUM
Unit T, Aisecome Way, Weston-Super-Mare, North Somerset, BS22 8NA
Tel: 01934 429922 Fax: 01934 416796
www.finelinealuminium.co.uk
email: info@finelinealuminium.co.uk

Site Details:

Architect: Toh Shimazaki Architecture

Contract Number: Drawing Number:
FE02

Drawing Name: Window Elevations

Dwg Scale: 1:15 @ A1
1:30 @ A3
Drawn By:
Reviewed By:

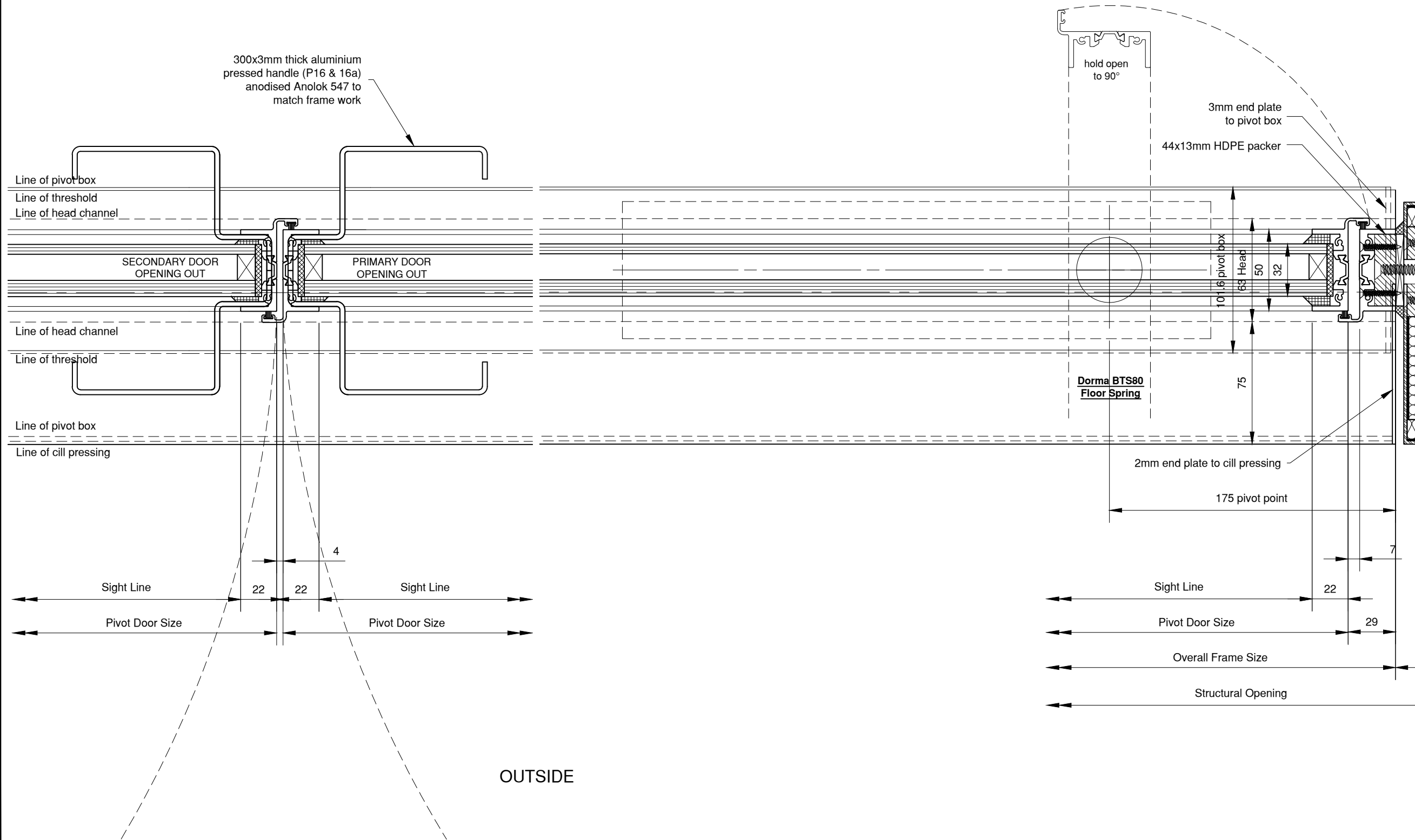
Client Signature..... Date.....

05

06

INSIDE

OUTSIDE



Specification/Notes:
 Frame fitted to structure using 4mm aluminium sub cill, sat on marine grade plywood. Fixed to structure using fittings below:

Blockwork/Brickwork
 Fixed using 2 1/2 " No 10 Wood screw and plugs @ 600 Ctrs (Max), by Fineline

Concrete
 Fixed using 2 1/2 " No 10 Wood screw and plugs @ 600 Ctrs (Max), by Fineline

Timber/Studwork
 Fixed using 2 1/2 " No 10 Wood screw @ 600 Ctrs (Max) by Fineline

Steelwork/Steel Lintols
 Fixed using Heavy Duty Tek screws Nom 75mm Long @ 600 Ctrs (Max) by Fineline

Fixing Lugs
 Where fixing lugs are required fix using M6 x 12mm S/Steel Machine Screws Lugs fixed to structure as per fixings listed above.

CONSTRUCTION ISSUE

© Copyright reserved by Fineline Aluminium. reproduction of this drawing without prior permission.

D	
C	
B	
A	Construction Issue
00	Initial Issue Drawing
Rev:	Date: Description:

FINELINE ALUMINIUM
 Unit T, Aisecome Way, Weston-Super-Mare, North Somerset, BS22 8NA
 Tel: 01934 429922 Fax: 01934 416796
 www.finelinealuminium.co.uk
 email: info@finelinealuminium.co.uk

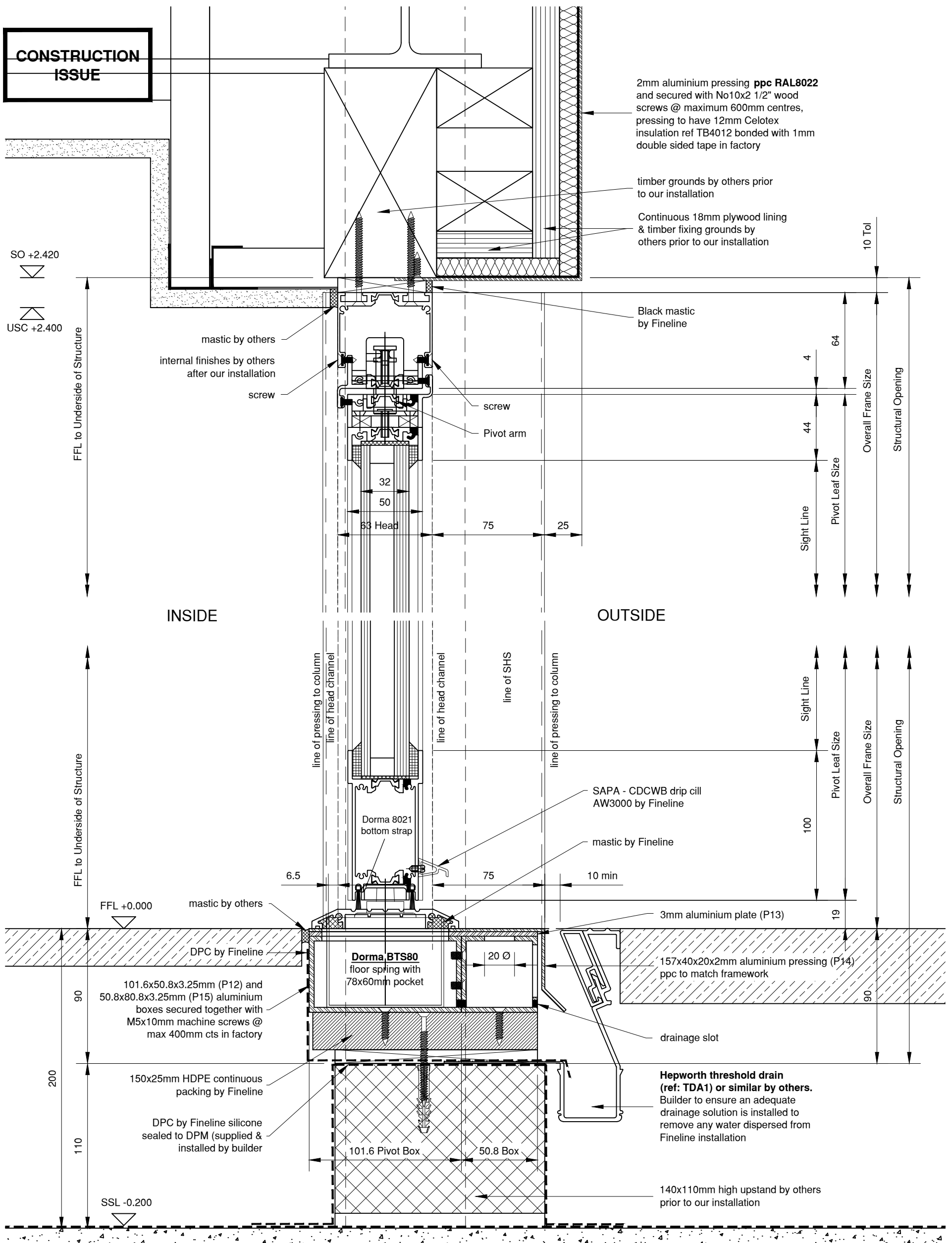
Site Details:

Architect:
 Contract Number: Drawing Number:
FD03
 Drawing Name: Horizontal Sections

Dwg Scale: 1:1.25 @ A1
 1:2.5 @ A3
 Drawn By:
 Reviewed By:

Client Signature..... Date.....

CONSTRUCTION ISSUE



22

23

Specification/Notes:

Frame fitted to structure using 4mm aluminium sub cill, sat on marine grade ply wood. Fixed to structure using fittings below:

Blockwork/Brickwork
Fixed using 2 1/2 " No 10 Wood screw and plugs @ 600 Ctrs (Max), by Fineline

Concrete
Fixed using 2 1/2 " No 10 Wood screw and plugs @ 600 Ctrs (Max), by Fineline

Timber/Studwork
Fixed using 2 1/2 " No 10 Wood screw @ 600 Ctrs (Max) by Fineline

Steelwork/Steel Lintols
Fixed using Heavy Duty Tek screws Nom 75mm Long @ 600 Ctrs (Max) by Fineline

Fixing Lugs
Where fixing lugs are required fix using M6 x 12mm S/Steel Machine Screws, Lugs fixed to structure as per fixings listed above.

ARCHITECTS RETURNED DRAWING STATUS:

- STATUS A - ISSUE FOR CONSTRUCTION & PROCEED WITH MANUFACTURE
- STATUS B - APPROVED SUBJECT TO COMMENTS
- STATUS C - REVISE DETAILS & RE-ISSUE FOR APPROVAL

Client Signature:

Dated:

FINELINE ALUMINIUM

Unit T, Aisecome Way, Weston-Super-Mare, North Somerset, BS22 8NA

Tel: 01934 429922 Fax: 01934 416796
www.finelinealuminium.co.uk
email: info@finelinealuminium.co.uk

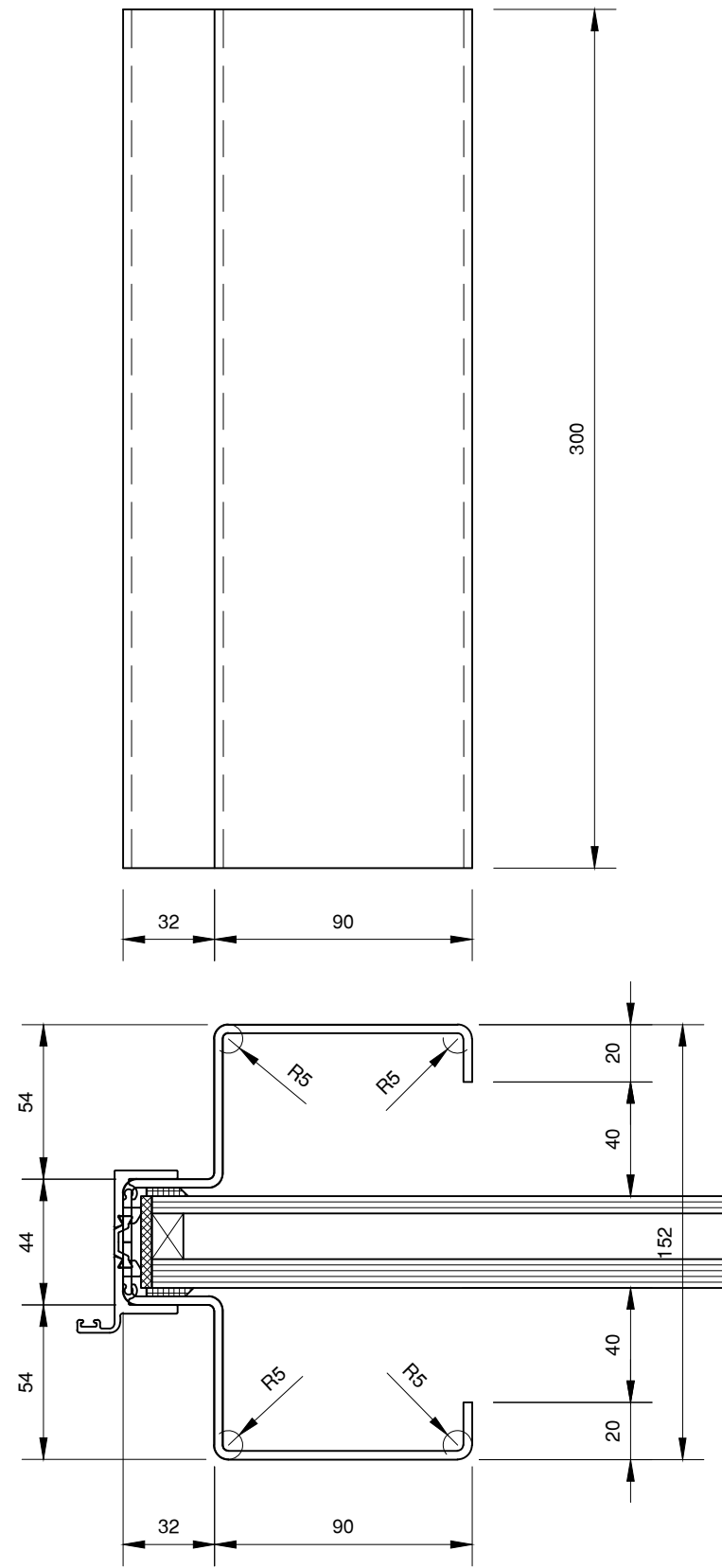
D	
C	
B	Construction Issue
A	Insulation added to parapet pressing & minor alteration.
00	Initial Issue Drawing
Rev:	Date: Description:

© Copyright reserved by Fineline Aluminium. No reproduction of this drawing without prior permission.

Site Details:

Architect:	
Contract Number:	Drawing Number:
	FD12
Drawing Name: Vertical Sections	
Dwg Scale:	Drawn By:
1:12.5 @ A1	
1:25 @ A3	Reviewed By:
Date:	Revision: B

Specification/Notes:



**CONSTRUCTION
ISSUE**

© Copyright reserved by Finline Aluminium. reproduction of this drawing without prior permission.

D		
C		Construction Issue
B		Option 2 handle amended
A		Optional handle design added
00		Initial Issue Drawing

Rev: Date: Description:

FINELIN
ALUMINIUM

Unit T, Aisecome Way, Weston-Super-Mare,
North Somerset, BS22 8NA

Tel: 01934 429922 Fax: 01934 416796
www.finlinealuminium.co.uk
email: info@finlinealuminium.co.uk

Site Details:

Architect:

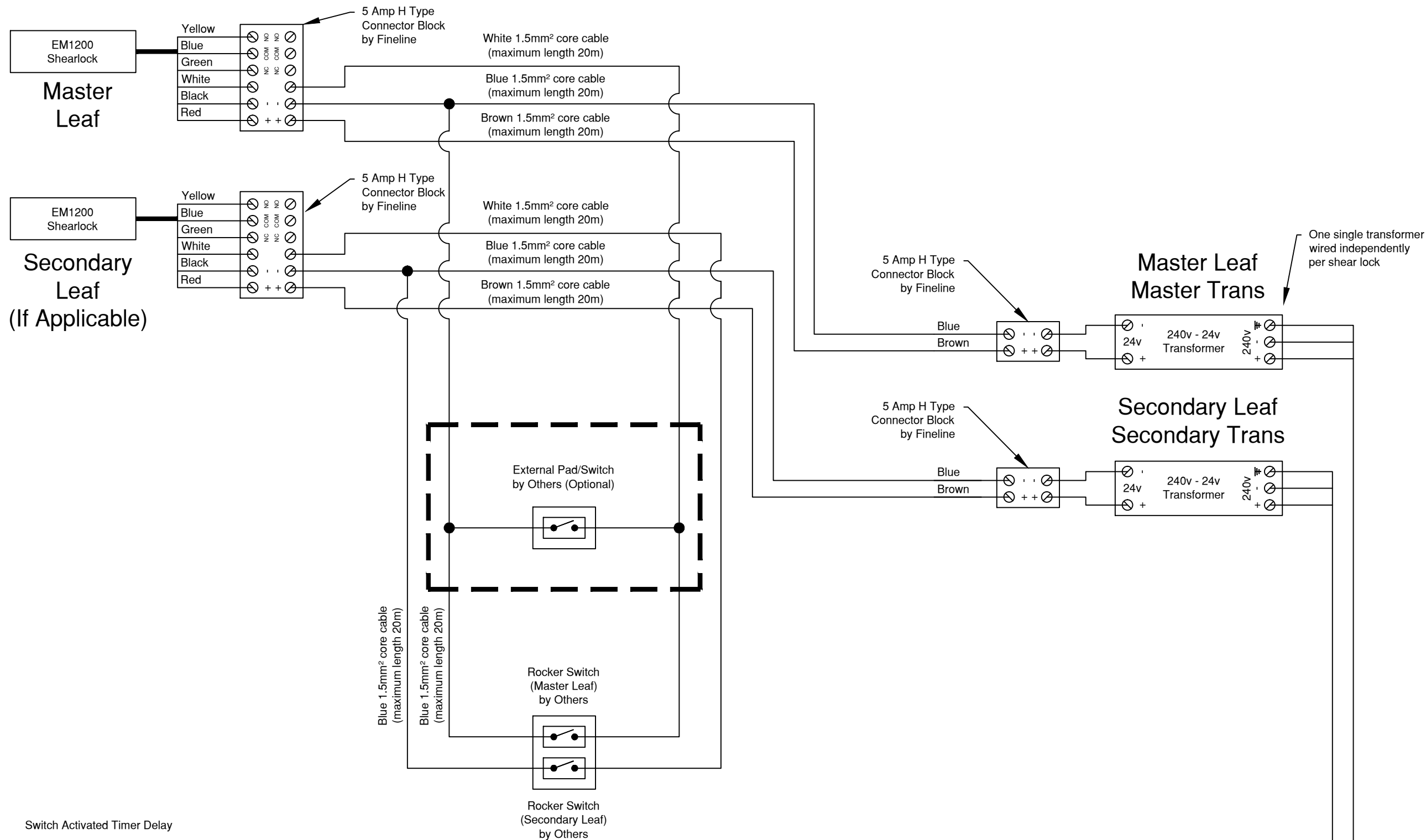
Contract Number: Drawing Number:
PR01

Drawing Name: Handle Details

Dwg Scale: Drawn By:
1: 1.25 @ A1
1: 2.5 @ A3 Reviewed By:

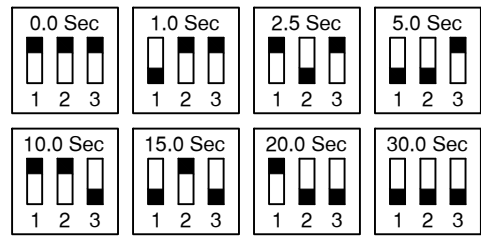
Date: Revision: C

Client Signature..... Date.....



Switch Activated Timer Delay

By selection / positioning or appropriate switch - time delay of 0-30 seconds can be selected.



240v Mains power to electricians recommendations, by others.
Fineline recommend single power source per transformer

Client Signature..... Date.....

CONSTRUCTION ISSUE

© Copyright reserved by Fineline Aluminium. reproduction of this drawing without prior permission.

D	
C	
B	
A	Construction Issue
00	Initial Issue Drawing
Rev:	Date: Description:

FINELIN
ALUMINIUM

Unit T, Aisecome Way, Weston-Super-Mare, North Somerset, BS22 8NA

Tel: 01934 429922 Fax: 01934 416796
www.finelinealuminium.co.uk
email: info@finelinealuminium.co.uk

Site Details:

Architect:	
Contract Number:	Drawing Number: PA-01
Drawing Name: Typical Wiring Diagram Pivot Doors Shear Lock	
Dwg Scale: 1: @ A1 1: @ A3	Drawn By: Reviewed By:
Date:	Revision: A